

# E01

## По вопросам продаж и поддержки обращайтесь:

Алматы (7273)495-231	Казань (843)206-01-48	Новокузнецк (3843)20-46-81	Смоленск (4812)29-41-54
Архангельск (8182)63-90-72	Калининград (4012)72-03-81	Новосибирск (383)227-86-73	Сочи (862)225-72-31
Астрахань (8512)99-46-04	Калуга (4842)92-23-67	Омск (3812)21-46-40	Ставрополь (8652)20-65-13
Барнаул (3852)73-04-60	Кемерово (3842)65-04-62	Орел (4862)44-53-42	Сургут (3462)77-98-35
Белгород (4722)40-23-64	Киров (8332)68-02-04	Оренбург (3532)37-68-04	Тверь (4822)63-31-35
Брянск (4832)59-03-52	Краснодар (861)203-40-90	Пенза (8412)22-31-16	Томск (3822)98-41-53
Владивосток (423)249-28-31	Красноярск (391)204-63-61	Пермь (342)205-81-47	Тула (4872)74-02-29
Волгоград (844)278-03-48	Курск (4712)77-13-04	Ростов-на-Дону (863)308-18-15	Тюмень (3452)66-21-18
Вологда (8172)26-41-59	Липецк (4742)52-20-81	Рязань (4912)46-61-64	Ульяновск (8422)24-23-59
Воронеж (473)204-51-73	Магнитогорск (3519)55-03-13	Самара (846)206-03-16	Уфа (347)229-48-12
Екатеринбург (343)384-55-89	Москва (495)268-04-70	Санкт-Петербург (812)309-46-40	Хабаровск (4212)92-98-04
Иваново (4932)77-34-06	Мурманск (8152)59-64-93	Саратов (845)249-38-78	Челябинск (351)202-03-61
Ижевск (3412)26-03-58	Набережные Челны (8552)20-53-41	Севастополь (8692)22-31-93	Череповец (8202)49-02-64
Иркутск (395)279-98-46	Нижний Новгород (831)429-08-12	Симферополь (3652)67-13-56	Ярославль (4852)69-52-93
Россия (495)268-04-70	Киргизия (996)312-96-26-47	Казахстан (7172)727-132	



# Metal Seated Wafer Triple Offset Butterfly Valve

Welcome to DBV VALVE, we collect a wide variety of commercial & industrial valves here for you. They are perfect for virtually every industrial process, including water and sewage processing, mining, power generation, processing of oil, gas and petroleum, food manufacturing, chemical and plastic manufacturing, and many other fields.

1. Model: E01
2. Brand: DBV or Custom
3. Custom Options: Size, pressure, material, connection type, operation type, logo, packaging, etc.
4. Valve Actuators: pneumatic or custom (hydraulic, electric, and spring)
5. Available Materials: Stainless steel, Ductile iron, Carbon steel, Brass, Aluminium, Cast steel, Titanium, Bronze, etc.



# Worm Gear Flange Type Triple Eccentric Butterfly Valve

Welcome to DBV VALVE, we collect a wide variety of commercial & industrial valves here for you. They are perfect for virtually every industrial process, including water and sewage processing, mining, power generation, processing of oil, gas and petroleum, food manufacturing, chemical and plastic manufacturing, and many other fields.

1. Model: E01
2. Brand: DBV or Custom
3. Custom Options: Size, pressure, material, connection type, operation type, logo, packaging, etc.
4. Valve Actuators: pneumatic or custom (hydraulic, electric, and spring)
5. Available Materials: Stainless steel, Ductile iron, Carbon steel, Brass, Aluminium, Cast steel, Titanium, Bronze, etc.



## Worm Gear QT450 Flange Triple Eccentric Butterfly Valve

Welcome to DBV VALVE, we collect a wide variety of commercial & industrial valves here for you. They are perfect for virtually every industrial process, including water and sewage processing, mining, power generation, processing of oil, gas and petroleum, food manufacturing, chemical and plastic manufacturing, and many other fields.

1. Model: E01
2. Brand: DBV or Custom
3. Custom Options: Size, pressure, material, connection type, operation type, logo, packaging, etc.
4. Valve Actuators: pneumatic or custom (hydraulic, electric, and spring)
5. Available Materials: Stainless steel, Ductile iron, Carbon steel, Brass, Aluminium, Cast steel, Titanium, Bronze, etc.



# High Temperature Triple Eccentric Butterfly Valve

Welcome to DBV VALVE, we collect a wide variety of commercial & industrial valves here for you. They are perfect for virtually every industrial process, including water and sewage processing, mining, power generation, processing of oil, gas and petroleum, food manufacturing, chemical and plastic manufacturing, and many other fields.

1. Model: E01
2. Brand: DBV or Custom
3. Custom Options: Size, pressure, material, connection type, operation type, logo, packaging, etc.
4. Valve Actuators: pneumatic or custom (hydraulic, electric, and spring)
5. Available Materials: Stainless steel, Ductile iron, Carbon steel, Brass, Aluminium, Cast steel, Titanium, Bronze, etc.



## **Worm Gear Class150 48” Butt welding Triple Offset Butterfly Valves**

Welcome to DBV VALVE, we collect a wide variety of commercial & industrial valves here for you. They are perfect for virtually every industrial process, including water and sewage processing, mining, power generation, processing of oil, gas and petroleum, food manufacturing, chemical and plastic manufacturing, and many other fields.

1. Model: E01
2. Brand: DBV or Custom
3. Custom Options: Size, pressure, material, connection type, operation type, logo, packaging, etc.
4. Valve Actuators: pneumatic or custom (hydraulic, electric, and spring)
5. Available Materials: Stainless steel, Ductile iron, Carbon steel, Brass, Aluminium, Cast steel, Titanium, Bronze, etc.



## **WCB PN16 Triple Eccentric Butterfly Valve With Gear Box**

Welcome to DBV VALVE, we collect a wide variety of commercial & industrial valves here for you. They are perfect for virtually every industrial process, including water and sewage processing, mining, power generation, processing of oil, gas and petroleum, food manufacturing, chemical and plastic manufacturing, and many other fields.

1. Model: E01
2. Brand: DBV or Custom
3. Custom Options: Size, pressure, material, connection type, operation type, logo, packaging, etc.
4. Valve Actuators: pneumatic or custom (hydraulic, electric, and spring)
5. Available Materials: Stainless steel, Ductile iron, Carbon steel, Brass, Aluminium, Cast steel, Titanium, Bronze, etc.





## Triple Eccentric Offset Metal To Metal Seat Wafer Lug Butterfly Valve

Welcome to DBV VALVE, we collect a wide variety of commercial & industrial valves here for you. They are perfect for virtually every industrial process, including water and sewage processing, mining, power generation, processing of oil, gas and petroleum, food manufacturing, chemical and plastic manufacturing, and many other fields.

1. Model: E01
2. Brand: DBV or Custom
3. Custom Options: Size, pressure, material, connection type, operation type, logo, packaging, etc.
4. Valve Actuators: pneumatic or custom (hydraulic, electric, and spring)
5. Available Materials: Stainless steel, Ductile iron, Carbon steel, Brass, Aluminium, Cast steel, Titanium, Bronze, etc.





## Triple Offset Butterfly Valve DN1800 PN6

Welcome to DBV VALVE, we collect a wide variety of commercial & industrial valves here for you. They are perfect for virtually every industrial process, including water and sewage processing, mining, power generation, processing of oil, gas and petroleum, food manufacturing, chemical and plastic manufacturing, and many other fields.

1. Model: E01
2. Brand: DBV or Custom
3. Custom Options: Size, pressure, material, connection type, operation type, logo, packaging, etc.
4. Valve Actuators: pneumatic or custom (hydraulic, electric, and spring)
5. Available Materials: Stainless steel, Ductile iron, Carbon steel, Brass, Aluminium, Cast steel, Titanium, Bronze, etc.



## Renewable Seat Metal To Metal Seat Triple Eccentric Butterfly Valve

Welcome to DBV VALVE, we collect a wide variety of commercial & industrial valves here for you. They are perfect for virtually every industrial process, including water and sewage processing, mining, power generation, processing of oil, gas and petroleum, food manufacturing, chemical and plastic manufacturing, and many other fields.

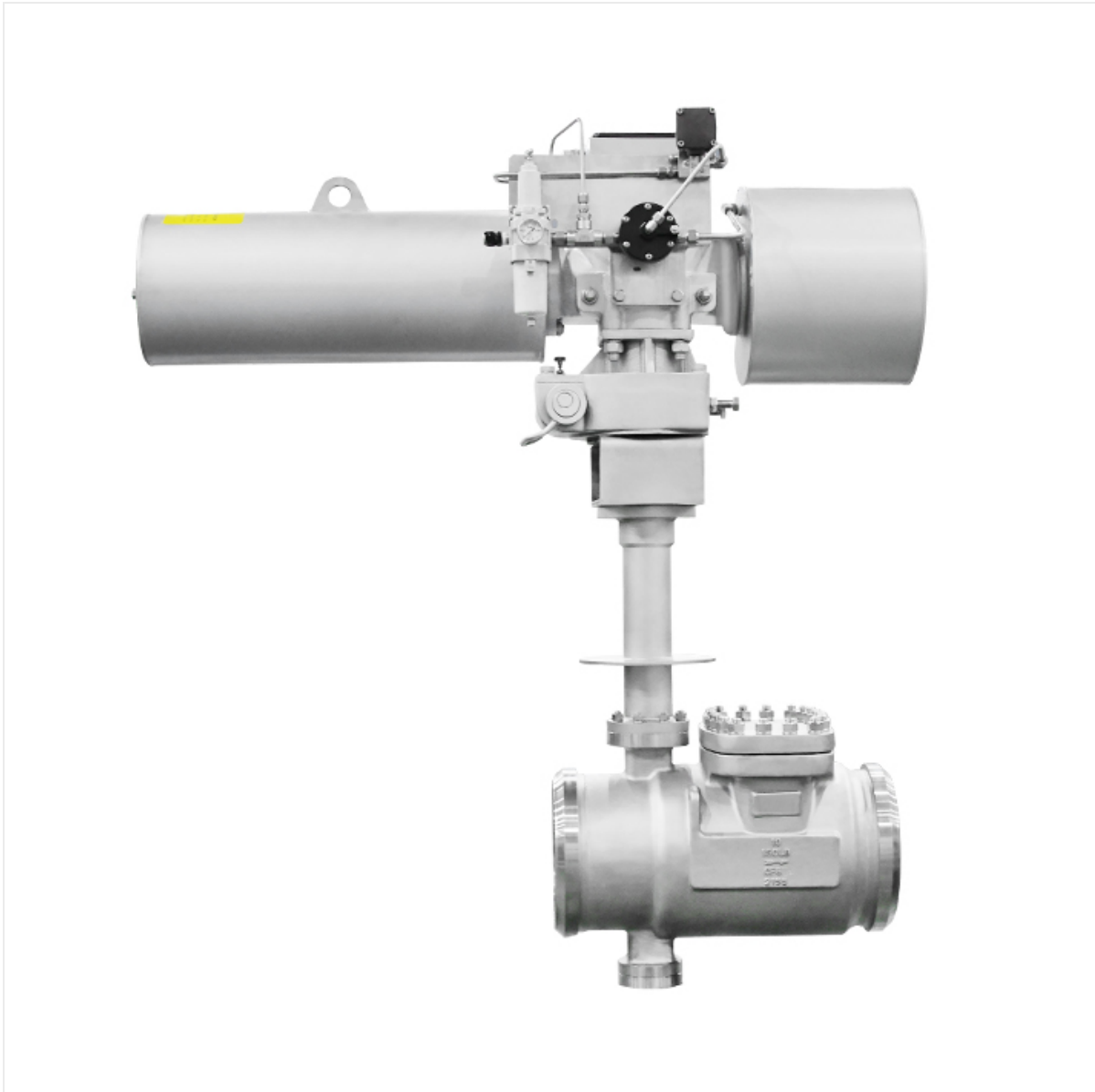
1. Model: E01
2. Brand: DBV or Custom
3. Custom Options: Size, pressure, material, connection type, operation type, logo, packaging, etc.
4. Valve Actuators: pneumatic or custom (hydraulic, electric, and spring)
5. Available Materials: Stainless steel, Ductile iron, Carbon steel, Brass, Aluminium, Cast steel, Titanium, Bronze, etc.



## Triple Offset Butterfly Valve Stem Extension

Welcome to DBV VALVE, we collect a wide variety of commercial & industrial valves here for you. They are perfect for virtually every industrial process, including water and sewage processing, mining, power generation, processing of oil, gas and petroleum, food manufacturing, chemical and plastic manufacturing, and many other fields.

1. Model: E01
2. Brand: DBV or Custom
3. Custom Options: Size, pressure, material, connection type, operation type, logo, packaging, etc.
4. Valve Actuators: pneumatic or custom (hydraulic, electric, and spring)
5. Available Materials: Stainless steel, Ductile iron, Carbon steel, Brass, Aluminium, Cast steel, Titanium, Bronze, etc.



## Cryogenic Triple Offset Butterfly Valve -196°C

Welcome to DBV VALVE, we collect a wide variety of commercial & industrial valves here for you. They are perfect for virtually every industrial process, including water and sewage processing, mining, power generation, processing of oil, gas and petroleum, food manufacturing, chemical and plastic manufacturing, and many other fields.

1. Model: E01
2. Brand: DBV or Custom
3. Custom Options: Size, pressure, material, connection type, operation type, logo, packaging, etc.
4. Valve Actuators: pneumatic or custom (hydraulic, electric, and spring)
5. Available Materials: Stainless steel, Ductile iron, Carbon steel, Brass, Aluminium, Cast steel, Titanium, Bronze, etc.



## Big Size Triple Offset Butterfly Valve DN1400

Welcome to DBV VALVE, we collect a wide variety of commercial & industrial valves here for you. They are perfect for virtually every industrial process, including water and sewage processing, mining, power generation, processing of oil, gas and petroleum, food manufacturing, chemical and plastic manufacturing, and many other fields.

1. Model: E01
2. Brand: DBV or Custom
3. Custom Options: Size, pressure, material, connection type, operation type, logo, packaging, etc.
4. Valve Actuators: pneumatic or custom (hydraulic, electric, and spring)
5. Available Materials: Stainless steel, Ductile iron, Carbon steel, Brass, Aluminium, Cast steel, Titanium, Bronze, etc.



# High Pressure Metal Seated Triple Offset Butterfly Valve

Welcome to DBV VALVE, we collect a wide variety of commercial & industrial valves here for you. They are perfect for virtually every industrial process, including water and sewage processing, mining, power generation, processing of oil, gas and petroleum, food manufacturing, chemical and plastic manufacturing, and many other fields.

1. Model: E01
2. Brand: DBV or Custom
3. Custom Options: Size, pressure, material, connection type, operation type, logo, packaging, etc.
4. Valve Actuators: pneumatic or custom (hydraulic, electric, and spring)
5. Available Materials: Stainless steel, Ductile iron, Carbon steel, Brass, Aluminium, Cast steel, Titanium, Bronze, etc.



# Metal To Metal Seated Flanged Triple Offset Butterfly Valve

Welcome to DBV VALVE, we collect a wide variety of commercial & industrial valves here for you. They are perfect for virtually every industrial process, including water and sewage processing, mining, power generation, processing of oil, gas and petroleum, food manufacturing, chemical and plastic manufacturing, and many other fields.

1. Model: E01
2. Brand: DBV or Custom
3. Custom Options: Size, pressure, material, connection type, operation type, logo, packaging, etc.
4. Valve Actuators: pneumatic or custom (hydraulic, electric, and spring)
5. Available Materials: Stainless steel, Ductile iron, Carbon steel, Brass, Aluminium, Cast steel, Titanium, Bronze, etc.





## Triple Offset Butterfly Valve Metal Seated

Welcome to DBV VALVE, we collect a wide variety of commercial & industrial valves here for you. They are perfect for virtually every industrial process, including water and sewage processing, mining, power generation, processing of oil, gas and petroleum, food manufacturing, chemical and plastic manufacturing, and many other fields.

1. Model: E01
2. Brand: DBV or Custom
3. Custom Options: Size, pressure, material, connection type, operation type, logo, packaging, etc.
4. Valve Actuators: pneumatic or custom (hydraulic, electric, and spring)
5. Available Materials: Stainless steel, Ductile iron, Carbon steel, Brass, Aluminium, Cast steel, Titanium, Bronze, etc.



# Butt Weld Triple Offset Butterfly Valve

Welcome to DBV VALVE, we collect a wide variety of commercial & industrial valves here for you. They are perfect for virtually every industrial process, including water and sewage processing, mining, power generation, processing of oil, gas and petroleum, food manufacturing, chemical and plastic manufacturing, and many other fields.

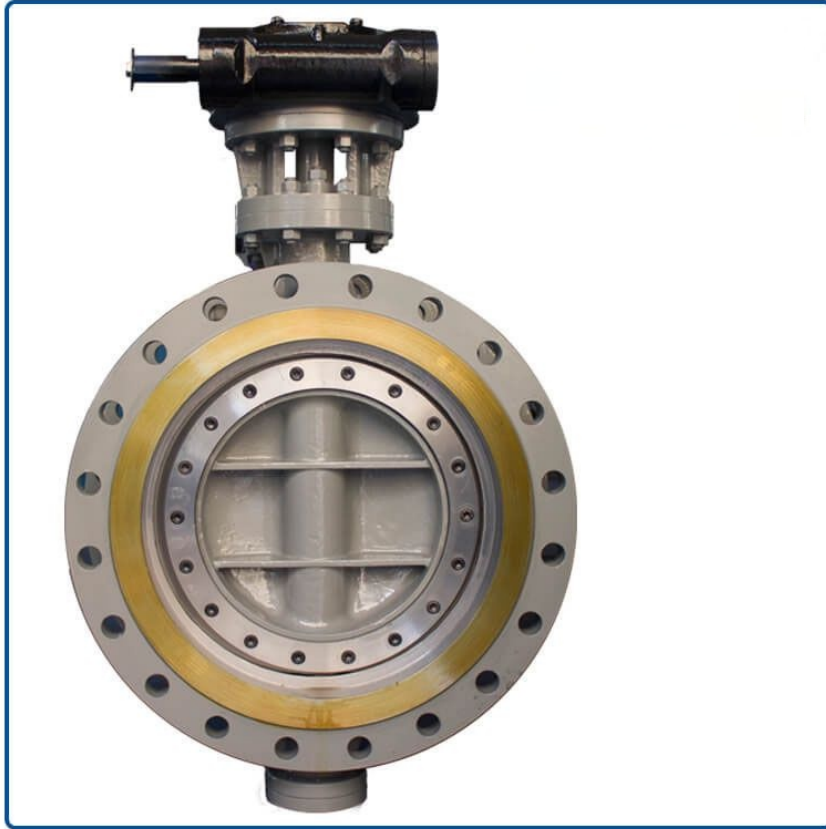
1. Model: E01
2. Brand: DBV or Custom
3. Custom Options: Size, pressure, material, connection type, operation type, logo, packaging, etc.
4. Valve Actuators: pneumatic or custom (hydraulic, electric, and spring)
5. Available Materials: Stainless steel, Ductile iron, Carbon steel, Brass, Aluminium, Cast steel, Titanium, Bronze, etc.



## Lug Type Triple Offset Butterfly Valve

Welcome to DBV VALVE, we collect a wide variety of commercial & industrial valves here for you. They are perfect for virtually every industrial process, including water and sewage processing, mining, power generation, processing of oil, gas and petroleum, food manufacturing, chemical and plastic manufacturing, and many other fields.

1. Model: E01
2. Brand: DBV or Custom
3. Custom Options: Size, pressure, material, connection type, operation type, logo, packaging, etc.
4. Valve Actuators: pneumatic or custom (hydraulic, electric, and spring)
5. Available Materials: Stainless steel, Ductile iron, Carbon steel, Brass, Aluminium, Cast steel, Titanium, Bronze, etc.



## Triple Offset Butterfly Valve With AUMA Motor

DBV collects a wide variety of commercial & industrial valves here for you. They are perfect for virtually every industrial process, including water and sewage processing, mining, power generation, processing of oil, gas and petroleum, food manufacturing, chemical and plastic manufacturing, and many other fields.

1. Model: E01
2. Brand: DBV or Custom
3. Custom Options: Size, pressure, material, connection type, operation type, logo, packaging, etc.
4. Valve Actuators: pneumatic or custom (hydraulic, electric, and spring)
5. Available Materials: Stainless steel, Ductile iron, Carbon steel, Brass, Aluminium, Cast steel, Titanium, Bronze, etc.

**По вопросам продаж и поддержки обращайтесь:**

Алматы (7273)495-231	Казань (843)206-01-48	Новокузнецк (3843)20-46-81	Смоленск (4812)29-41-54
Архангельск (8182)63-90-72	Калининград (4012)72-03-81	Новосибирск (383)227-86-73	Сочи (862)225-72-31
Астрахань (8512)99-46-04	Калуга (4842)92-23-67	Омск (3812)21-46-40	Ставрополь (8652)20-65-13
Барнаул (3852)73-04-60	Кемерово (3842)65-04-62	Орел (4862)44-53-42	Сургут (3462)77-98-35
Белгород (4722)40-23-64	Киров (8332)68-02-04	Оренбург (3532)37-68-04	Тверь (4822)63-31-35
Брянск (4832)59-03-52	Краснодар (861)203-40-90	Пенза (8412)22-31-16	Томск (3822)98-41-53
Владивосток (423)249-28-31	Красноярск (391)204-63-61	Пермь (342)205-81-47	Тула (4872)74-02-29
Волгоград (844)278-03-48	Курск (4712)77-13-04	Ростов-на-Дону (863)308-18-15	Тюмень (3452)66-21-18
Вологда (8172)26-41-59	Липецк (4742)52-20-81	Рязань (4912)46-61-64	Ульяновск (8422)24-23-59
Воронеж (473)204-51-73	Магнитогорск (3519)55-03-13	Самара (846)206-03-16	Уфа (347)229-48-12
Екатеринбург (343)384-55-89	Москва (495)268-04-70	Санкт-Петербург (812)309-46-40	Хабаровск (4212)92-98-04
Иваново (4932)77-34-06	Мурманск (8152)59-64-93	Саратов (845)249-38-78	Челябинск (351)202-03-61
Ижевск (3412)26-03-58	Набережные Челны (8552)20-53-41	Севастополь (8692)22-31-93	Череповец (8202)49-02-64
Иркутск (395)279-98-46	Нижний Новгород (831)429-08-12	Симферополь (3652)67-13-56	Ярославль (4852)69-52-93
Россия (495)268-04-70	Киргизия (996)312-96-26-47	Казахстан (7172)727-132	