

E01, H76H/X

По вопросам продаж и поддержки обращайтесь:

Алматы (7273)495-231	Казань (843)206-01-48	Новокузнецк (3843)20-46-81	Смоленск (4812)29-41-54
Архангельск (8182)63-90-72	Калининград (4012)72-03-81	Новосибирск (383)227-86-73	Сочи (862)225-72-31
Астрахань (8512)99-46-04	Калуга (4842)92-23-67	Омск (3812)21-46-40	Ставрополь (8652)20-65-13
Барнаул (3852)73-04-60	Кемерово (3842)65-04-62	Орел (4862)44-53-42	Сургут (3462)77-98-35
Белгород (4722)40-23-64	Киров (8332)68-02-04	Оренбург (3532)37-68-04	Тверь (4822)63-31-35
Брянск (4832)59-03-52	Краснодар (861)203-40-90	Пенза (8412)22-31-16	Томск (3822)98-41-53
Владивосток (423)249-28-31	Красноярск (391)204-63-61	Пермь (342)205-81-47	Тула (4872)74-02-29
Волгоград (844)278-03-48	Курск (4712)77-13-04	Ростов-на-Дону (863)308-18-15	Тюмень (3452)66-21-18
Вологда (8172)26-41-59	Липецк (4742)52-20-81	Рязань (4912)46-61-64	Ульяновск (8422)24-23-59
Воронеж (473)204-51-73	Магнитогорск (3519)55-03-13	Самара (846)206-03-16	Уфа (347)229-48-12
Екатеринбург (343)384-55-89	Москва (495)268-04-70	Санкт-Петербург (812)309-46-40	Хабаровск (4212)92-98-04
Иваново (4932)77-34-06	Мурманск (8152)59-64-93	Саратов (845)249-38-78	Челябинск (351)202-03-61
Ижевск (3412)26-03-58	Набережные Челны (8552)20-53-41	Севастополь (8692)22-31-93	Череповец (8202)49-02-64
Иркутск (395)279-98-46	Нижний Новгород (831)429-08-12	Симферополь (3652)67-13-56	Ярославль (4852)69-52-93
Россия (495)268-04-70	Киргизия (996)312-96-26-47	Казахстан (7172)727-132	



Dual Plate Check Valve Non Return Valve

Welcome to DBV VALVE, we collect a wide variety of commercial & industrial valves here for you. They are perfect for virtually every industrial process, including water and sewage processing, mining, power generation, processing of oil, gas and petroleum, food manufacturing, chemical and plastic manufacturing, and many other fields.

1. Model: E01
2. Brand: DBV or Custom
3. Custom Options: Size, pressure, material, connection type, operation type, logo, packaging, etc.
4. Available Materials: Stainless steel, Ductile iron, Carbon steel, Brass, Aluminium, Cast steel, Titanium, Bronze, etc.



Custom Wafer Check Valves Wholesale

Welcome to DBV VALVE, we collect a wide variety of commercial & industrial valves here for you. They are perfect for virtually every industrial process, including water and sewage processing, mining, power generation, processing of oil, gas and petroleum, food manufacturing, chemical and plastic manufacturing, and many other fields.

1. Model: E01
2. Brand: DBV or Custom
3. Custom Options: Size, pressure, material, connection type, operation type, logo, packaging, etc.
4. Available Materials: Stainless steel, Ductile iron, Carbon steel, Brass, Aluminium, Cast steel, Titanium, Bronze, etc.

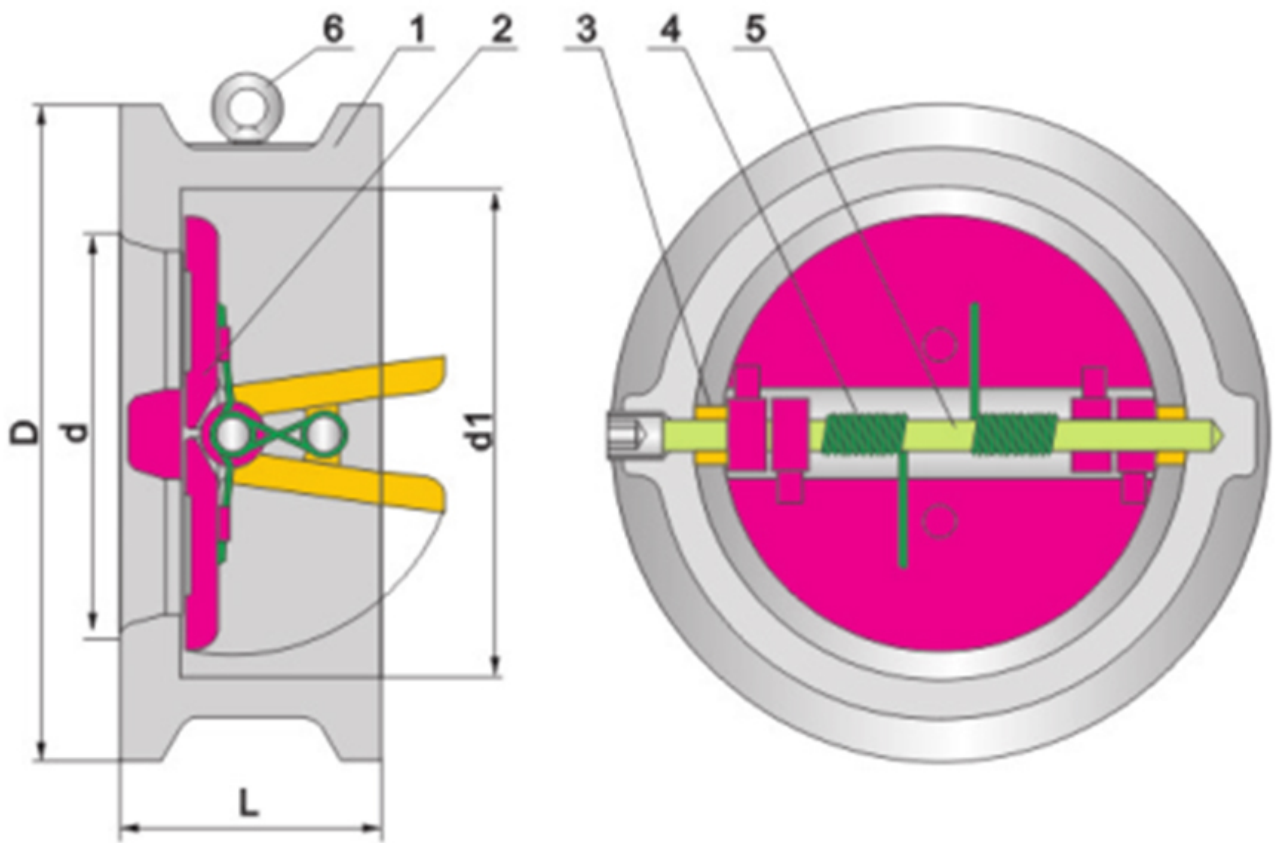


Wafer Dual-plate Check Valve

Valve Details

☰ Type	H76H/X
☰ Size	2"-48"
☰ Pressure Range	Class 150~Class 900
☰ Working Temp	≤425°

<p>☰ Material</p>	<p>Carbon steel,Stainless steel,Alloy steel,special material,chromium molybdenum steel,etc.</p>
<p>☰ Medium</p>	<p>Water,Oil,Gas etc.</p>
<p>☰ Operation</p>	<p>Manual Pneumatic Electric</p>
<p>☰ Applicable standards</p>	<p>Steel check valve, API 594/API 6D Steel check valves, ISO 14313 Steel valves, ASME B16.34 Face to face, ASME B16.10 End flanges, ASME B16.5 Inspection and test, API 598</p>
<p>☰ Design Features</p>	<p>One piece body Butterfly swing type Dual-plate disc,long-pattern Renewable split disc Horizontal or vertical service Wafer ends (Available with flanged ends)</p>



NO	≡ ASTM Material				
	Part Name	Carbon steel	11/4 Cr-11/2 Mo	Low-term. Steel	Stainless steel
1	Body	A216-WCB	A217-WC6	A352-LCB	ASTM A351 CF8M
2	Plate	A216-WCB+13Cr	A217-WC6+HF	A352-LCB+13Cr	ASTM A351 CF8M+HF
3	Stop Pin	A276-420	A276-304	A276-420	A276-304
4	Back Spring	SS304	SS304	SS304	SS316
5	Hinge Pin	A276-420	A276-304	A276-420	A276-316
6	Eyebolt	Carbon steel/Stainless steel			

≡ **Notes** : 1) Ductile Ni-Resist optional. 2) Wedge and seat ring may either be solid facing material or a base material equal or better than the body/bonnet material with facing as shown.

Product Features

☰ NO.1	Short face to face dimension, only 1/4-1/8 of the conventional flange check valves.
☰ NO.2	Quick action, excellent sealing performance, long life time, high reliable quality.
☰ NO.3	It can be installed horizontally or vertically and easy installation.
☰ NO.4	Short disc path for quick open/close, min water hammer, low impact force when closing the valve.
☰ NO.5	Small volume, light weight, simple structure, and good appearance.

Technical Specification

☰ Design Standard	API 609
☰ Body material	ASTM A216 WCB WCC; ASTM A217 WC1 WC6 WC9; ASTM A351 CF8,A351 CF8M, A351 CF3,A351 CF3M,A351 CN7M; ASTM A352 LC1 LCB LCC LC3(Cast Steel, Alloy Steel, Stainless Steel, Special Steel)
☰ Nominal Pressure	Class 150~2500
☰ Nominal Diameter	2"~24"
☰ End Connection	RF, FF, M, F, TG, RG
☰ Face To Face	ASME B 16.10
☰ Working Temperature	-29°C~+200°C
☰ Test And Inspection	API 598/ISO 5208
☰ End flange dimension	ASME B16.5,ASME B16.47(API 605 ,MSS SP44)
☰ Butt weld end dimension	ASME B16.25(BW)
☰ NACE	NACE 0175
☰ Certificate	ISO9001, ISO14001, ISO28001, TS, CE,TUV

По вопросам продаж и поддержки обращайтесь:

Алматы (7273)495-231	Казань (843)206-01-48	Новокузнецк (3843)20-46-81	Смоленск (4812)29-41-54
Архангельск (8182)63-90-72	Калининград (4012)72-03-81	Новосибирск (383)227-86-73	Сочи (862)225-72-31
Астрахань (8512)99-46-04	Калуга (4842)92-23-67	Омск (3812)21-46-40	Ставрополь (8652)20-65-13
Барнаул (3852)73-04-60	Кемерово (3842)65-04-62	Орел (4862)44-53-42	Сургут (3462)77-98-35
Белгород (4722)40-23-64	Киров (8332)68-02-04	Оренбург (3532)37-68-04	Тверь (4822)63-31-35
Брянск (4832)59-03-52	Краснодар (861)203-40-90	Пенза (8412)22-31-16	Томск (3822)98-41-53
Владивосток (423)249-28-31	Красноярск (391)204-63-61	Пермь (342)205-81-47	Тула (4872)74-02-29
Волгоград (844)278-03-48	Курск (4712)77-13-04	Ростов-на-Дону (863)308-18-15	Тюмень (3452)66-21-18
Вологда (8172)26-41-59	Липецк (4742)52-20-81	Рязань (4912)46-61-64	Ульяновск (8422)24-23-59
Воронеж (473)204-51-73	Магнитогорск (3519)55-03-13	Самара (846)206-03-16	Уфа (347)229-48-12
Екатеринбург (343)384-55-89	Москва (495)268-04-70	Санкт-Петербург (812)309-46-40	Хабаровск (4212)92-98-04
Иваново (4932)77-34-06	Мурманск (8152)59-64-93	Саратов (845)249-38-78	Челябинск (351)202-03-61
Ижевск (3412)26-03-58	Набережные Челны (8552)20-53-41	Севастополь (8692)22-31-93	Череповец (8202)49-02-64
Иркутск (395)279-98-46	Нижний Новгород (831)429-08-12	Симферополь (3652)67-13-56	Ярославль (4852)69-52-93
Россия (495)268-04-70	Киргизия (996)312-96-26-47	Казахстан (7172)727-132	