

По вопросам продаж и поддержки обращайтесь:

Алматы (7273)495-231
Архангельск (8182)63-90-72
Астрахань (8512)99-46-04
Барнаул (3852)73-04-60
Белгород (4722)40-23-64
Брянск (4832)59-03-52
Владивосток (423)249-28-31
Волгоград (844)278-03-48
Вологда (8172)26-41-59
Воронеж (473)204-51-73
Екатеринбург (343)384-55-89
Иваново (4932)77-34-06
Ижевск (3412)26-03-58
Иркутск (395)279-98-46
Россия (495)268-04-70

Казань (843)206-01-48
Калининград (4012)72-03-81
Калуга (4842)92-23-67
Кемерово (3842)65-04-62
Киров (8332)68-02-04
Краснодар (861)203-40-90
Красноярск (391)204-63-61
Курск (4712)77-13-04
Липецк (4742)52-20-81
Магнитогорск (3519)55-03-13
Москва (495)268-04-70
Мурманск (8152)59-64-93
Набережные Челны (8552)20-53-41
Нижний Новгород (831)429-08-12
Киргизия (996)312-96-26-47

Новокузнецк (3843)20-46-81
Новосибирск (383)227-86-73
Омск (3812)21-46-40
Орел (4862)44-53-42
Оренбург (3532)37-68-04
Пенза (8412)22-31-16
Пермь (342)205-81-47
Ростов-на-Дону (863)308-18-15
Рязань (4912)46-61-64
Самара (846)206-03-16
Санкт-Петербург (812)309-46-40
Саратов (845)249-38-78
Севастополь (8692)22-31-93
Симферополь (3652)67-13-56
Казахстан (7172)727-132

Смоленск (4812)29-41-54
Сочи (862)225-72-31
Ставрополь (8652)20-65-13
Сургут (3462)77-98-35
Тверь (4822)63-31-35
Томск (3822)98-41-53
Тула (4872)74-02-29
Тюмень (3452)66-21-18
Ульяновск (8422)24-23-59
Уфа (347)229-48-12
Хабаровск (4212)92-98-04
Челябинск (351)202-03-61
Череповец (8202)49-02-64
Ярославль (4852)69-52-93



High pressure metal seated triple offset butterfly valve

Product description:

DBV new achievements of metal seated triple offset butterfly valve. This triple offset butterfly valve with class 1500 is meticulously designed for high temperature and high pressure in the medium with solid parts.

Valve Description

Body Material	F11
Nominal Pressure	CL1500
Nominal Diameter	8"
End Connection	Flanged (RF)
Operation type	Bare shaft
Test & Inspection	API598

≡ Special Notes : We also can do special material according to customer's requirements

Valve Details



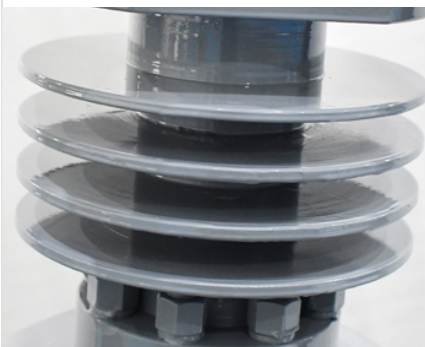
≡ Disc design

Meticulously designed disc to bear high pressure and ensure the flow rate



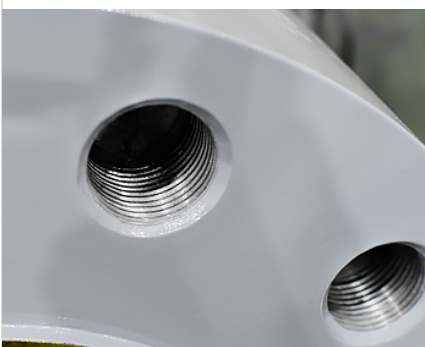
≡ Forged body

Forged body provides better mechanical properties, ductility and fatigue and impact resistance. Such high pressure CL1500 should choose forged body to ensure the shell test with good performance.



≡ Radiator design

The radiator is designed to insulate heat and protect the actuators. This valve is using in temperature Max. 540 degree C.



≡ Thread hole

Ensure the correct size and depth of the threaded holes.

Main Dimension

NPS	L	D	D1	D2	f	n-M	ISO5211	d	d1	d2	n-d3	k	m	h
8"	180	465	393.7	269.9	7.00	12-1-5/8"-8UN-2B	F25	70	254	200	8-18	20	79	100

No	Part Name	Material
1	Screw	30CrMo
2	Flange	A182 F11
3	Gasket	SS316+Graphite
4	Adjust gasket	SS316
5	Anti-Blow out ring	SS316
6	Bearing	SS316+Nitriding
7	Stem	Inconel625
8	Fix ring	A182 F316
9	Screw	SS316
10	Gasket	SS316+Graphite
11	Seal	A182 F316+STL
12	Sealing gland	A182 F316
13	Pin	SS316
14	Disc	A182 F316
15	Screw	SS316
16	Seal ring	A182 F316+STL
17	Gasket	SS316+Graphite
18	Body	A182 F11
19	Packing Gasket	SS316
20	Gasket	SS316+Graphite
21	Radiator	F11
22	Packing Gasket	SS316
23	Packing	Graphite
24	Packing Bush	SS304
25	Packing Gland	A182 F11
26	Stud	A193 B16
27	Gasket	65Mn
28	Nut	A194 4
29	Stud	A193 B16
30	Gasket	65Mn
31	Nut	A194 4
32	Stud	A193 B16
33	Gasket	300HV
34	Nut	A194 4
35	Yoke	SS304

VALVE SPECIFICATION (as per inquiry or order)		TEST PROPERTIES		TECHNICAL SPECIFICATION		GENERAL INFORMATION	
ITEM NO.:4		Shell	37.5 Mpa	Design/Manufacture	API 609	Type	Butterfly Valve
		Seat seal	27.5 Mpa	Test/Inspection	API 598	Size	8"
		Backseat seal	7 Mpa	End-to-end	API 609	Class	150LB
		Air seal	0.6 Mpa	End connection	ASTM B16.5	Ends	ipf
Date: 2021.06.27		Draw: ZWM	Auto: Yang	Temperature	300-500 °C	Temp/pressure rating	ASTM B16.34
Inquiry number						Operator	Bare Shaft



Renewable seat metal to metal seat triple eccentric butterfly valve

Product description:

Triple Offset butterfly Valves Material: Body:A105 Disc: CF8+STL, Stem: A564 17-4PH. Seat: F304+STL, Nominal Diameter:DN800 Nominal Pressure:PN25 End Connection:Butt Welded

Valve Description

Body Material	A105
Nominal Pressure	PN25
Nominal Diameter	DN800
End Connection	Butt welded
Operation type	Bare shaft/Worm gear/Electric
Test & Inspection	EN12266-1
Design Standard	EN593

☰ Special Notes : We also can do special material according to customer's requirements

Valve Details



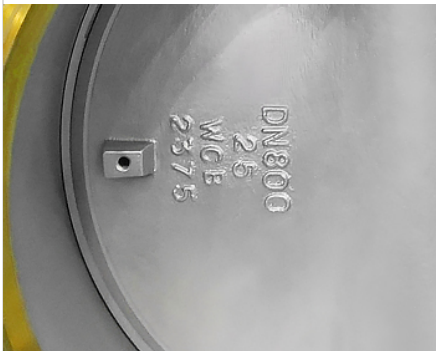
☰ Metal to metal seats

Metal to metal seats can endure severe flashing, hydraulic shock, abrasive process fluid, and high temperatures up to and exceeding 1,000° F. They are also ideal for high erosion or corrosion applications.



☰ Sealing

Precise processing on the disc sealing to ensure Zero leakage.



☰ Typecasting

Every valve in DBV with clear typecasting. Our big size butterfly valves also can comply with the leakage class A. (Zero Leakage).



☰ Top flange

The top flange design comply with ISO 5211, The yoke is convenient for assembling worm gear, pneumatic, electric, hydraulic and pneumatic & hydraulic actuators.

ASME Standard

Design and Manufacture Standard:	API 609	Inspection Test Standard:	API 598
Material Pressure-temp. Standard:	ASME B16.34	Flange ends:	Size≤24” according to ANSI B16.5
Face to Face:	Flange Short Pattern to ISO5752 Basic Series 13	Dimension Standard:	Size≥24” according to ANSI B16.47 Series B
Dimension Standard:	Flange Long Pattern to ASME B16.10	Fire Safe Standard:	API 607

Pressure	Testing Pressure at Constant Temp. (MPa)			Applicable Temp.	Applicable Medium
Class (LB)	Shell Test	Seal Test	Air Test	-46°C~550°C	W.O.G. etc.
150	3.0	2.2	0.6		
300	7.58	5.52	0.6		
600	15.0	11.03	0.6		
900	22.5	16.5	0.6		

DIN Standard

Design and Manufacture Standard:	DIN 2559			Pressure Test:	EN 12266-1
Pressure	Testing Pressure at Constant Temp. (MPa)			Applicable Temp.	Applicable Medium
	Shell Test	Seal Test	Air Test		
Nominal Pressure	1.0	1.5	1.1	-40°C~570°C	W.O.G. etc.
	1.6	2.4	1.76		
	2.5	3.75	2.75		



Metal to Metal seated Flanged Triple Offset Butterfly Valve

Product description:

DBV metal to metal seated triple offset butterfly valve has the advantages of high temperature resistance, light operation and no friction during opening and closing, which improves the sealing performance and prolongs the service life of the butterfly

Valve Description

Body Material	CF8
Nominal Pressure	PN16
Nominal Diameter	DN200
End Connection	Flange

Operation type	Worm Gear
Test & Inspection	API 598/ISO 5208
Design Standard	API 609

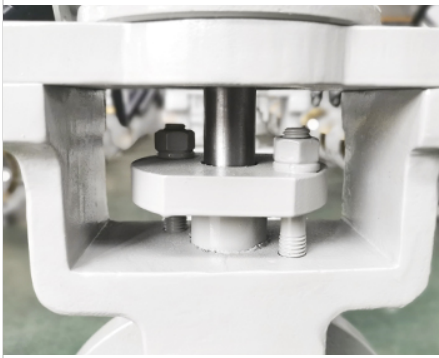
☰ Special Notes : We also can do special material according to customer's requirements

Valve Details



☰ Renewable Seat & Seal Ring Design

DBV butterfly valve adopts the design of renewable seat and seal Ring. This design makes the valve cost lowest. If the valve has the leakage caused by the seal ring & seat, changing the seal ring & seat could solve the leakage.



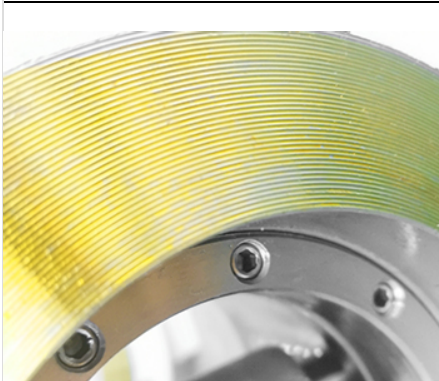
☰ One-piece Yoke Design

DBV butterfly valve adopts the design of one piece yoke. It is more beautiful than normal valves. It is also convenient to assemble the actuator.



☰ Valve Material

DBV butterfly valve material selection is very large, high and low temperature and variety of acid, alkali and other corrosive medium. DBV fully metal seated butterfly valve can comply with the leakage class A. (Zero Leakage)



☰ Flange Face Finish

The ASME B16.5 code requires that the flange face (raised face and flat face) has a specific roughness to ensure that this surface be compatible with the gasket and provide a high quality seal. Resultant roughness between 125-500 micro inches.



Triple eccentric/Offset metal to metal seat wafer Butterfly Valves DN250 PN16

Product description:

Triple eccentric Butterfly Valves Body material::CF8 Disc: CF8+STL, Stem: 17-4PH. Seat: F316+STL,Nominal Diameter:DN250 Nominal Pressure:PN16 Connection: Wafer

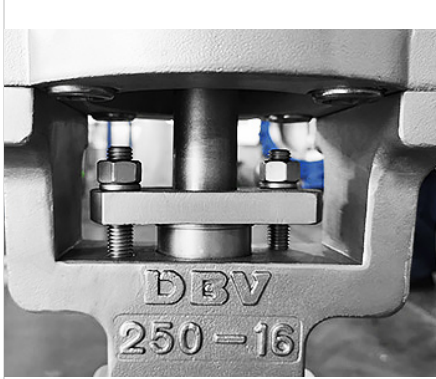
Valve Description

Body Material	CF8
Nominal Pressure	PN16
Nominal Diameter	DN250
End Connection	Wafer
NACE	NACE 0175

Test & Inspection	API 598MSO 5208
Face To Face	ASME B16.10

☰ Special Notes : We also can do special material according to customer's requirements

Valve Details



☰ Marking

Every valve in DBV with clear LOGO and Marking on the valve body.



☰ Casting of Disc

We choose the best raw material supplier of Stainless steel ASTM A351 CF8



☰ Metal to Metal sealing

We protect every tiny detail of the seat sealing,very smoothly to ensure excellent sealing performance.DBV butterfly valve adopts all metal forged seal ring,overlays stellite alloy on the sealing surface,its advantages are anti-wear,anti-erosion and long service life,etc.



☰ Flange face finish

The ASME B16.5 code requires that the flange face(raised face and flat face)has a specific roughness to ensure that this surface be compatible with the gasket and provide a high quality seal.



Lug type metal to metal renewable seat butterfly valve with special material 5A

Product description:

Lug type metal to metal renewable seat butterfly valve Material: Body:5A Disc: 5A,Seat:F53+STL: Nominal Diameter:4" & 6" Nominal Pressure:Class 150 End Connection: Lug Operation:Worm Gear

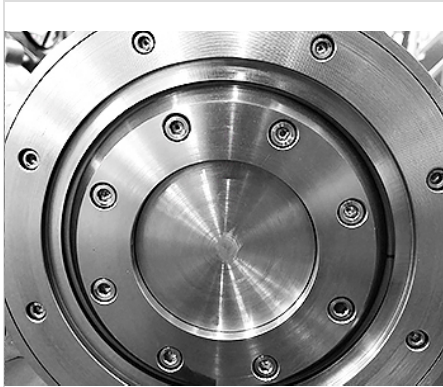
Valve Description

Body Material	5A
---------------	----

Nominal Pressure	CL150
Nominal Diameter	4"&6"
End Connection	Lug
Operation type	Worm gear
Test & Inspection	API 598/ISO 5208
Design Standard	API 609

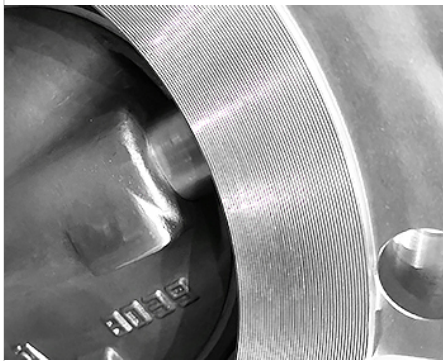
☰ Special Notes : We also can do special material according to customer's requirements

Valve Details



☰ Clapper

DBV have the best design for the metal to metal renewable seat butterfly valve with the clapper, If something problem with the seat, we don't need change the whole valves, we can just change the seat.



☰ Flange face finish

Our waterline processing is very precise



☰ Marking

Every valve in DBV with clear and beautiful marking on the valve body, we usually do as our customers requirement



Triple Offset metal to metal seat Butterfly Valves DN900 PN25 BW

Product description:

Triple Offset Butterfly Valves Material: Body:A105 Disc: CF8 Stem: 17-4PH. Seat: F304+STL,Seal: F304+STL Nominal Diameter:DN900 Nominal Pressure:PN25 End connection:BW

Valve Description

Body Material	A105
Nominal Pressure	PN25
Nominal Diameter	DN900
End Connection	Butt welded
Operation type	Gear box

Test & Inspection	API 598
Face To Face	API 609

☰ Special Notes : We also can do special material according to customer's requirements

Valve Details



☰ Body Marking

New design of DBV triple eccentric butterfly valve with large material selection, high and low temperature and variety of acid, alkali and other corrosive medium. DBV fully metal seated butterfly valve can comply with the leakage class A. (Zero Leakage), we also can produce Bi-direction REAL metal to metal seat butterfly valve



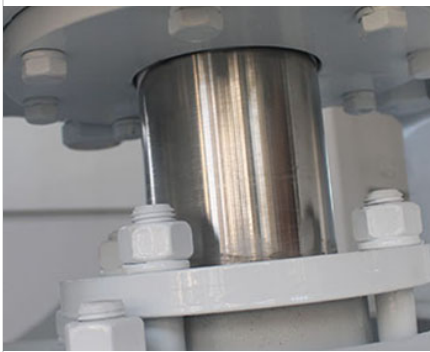
☰ Typecasting

Every valve in DBV with clear typecasting and smooth sealing to ensure excellent sealing. Clear the valves surface and valve bore very carefully in every small details.



☰ Sealing

We protect every tiny detail of the seat sealing, very smoothly to ensure excellent sealing performance. DBV butterfly valve adopts all metal forged seal ring, overlays stellite alloy on the sealing surface, its advantages are anti-wear, anti-erosion and long service life, etc.



☰ Top Flange

The top flange design complies with ISO 5211. The yoke is convenient for assembling worm gear, pneumatic, electric, hydraulic and pneumatic & hydraulic actuators.



Hastelloy-C276 double offset butterfly valve

Product description:

Hastelloy C-276 also named Ni-Cr-Mo alloy steel, with high temperature and corrosion resistance. The main resistance to wet chlorine, various oxidizing chlorides, chlorinated salt solutions, sulfuric acid and oxidizing salts have good corrosion resistance

Valve Description

Body Material	Hastelloy C-276
Nominal Pressure	PN10
Nominal Diameter	DN200
End Connection	Wafer
Operation type	Bare shaft

Test & Inspection	EN12266-1
Design Standard	EN593

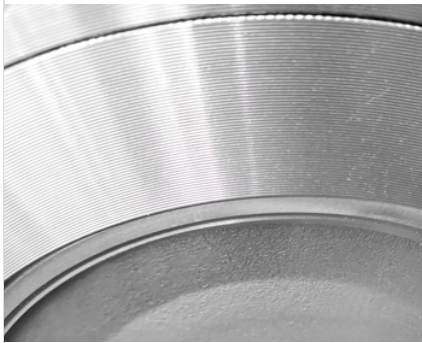
☰ Special Notes : We also can do special material according to customer's requirements

Valve Details



☰ Marking

Every valve in DBV with clear marking on the valve body



☰ Roughness

The ASME B16.5 code requires that the flange face(Raised face and flat face)has s specific roughness to ensure that this surface be compatible with gasket and provide a high quality seal.



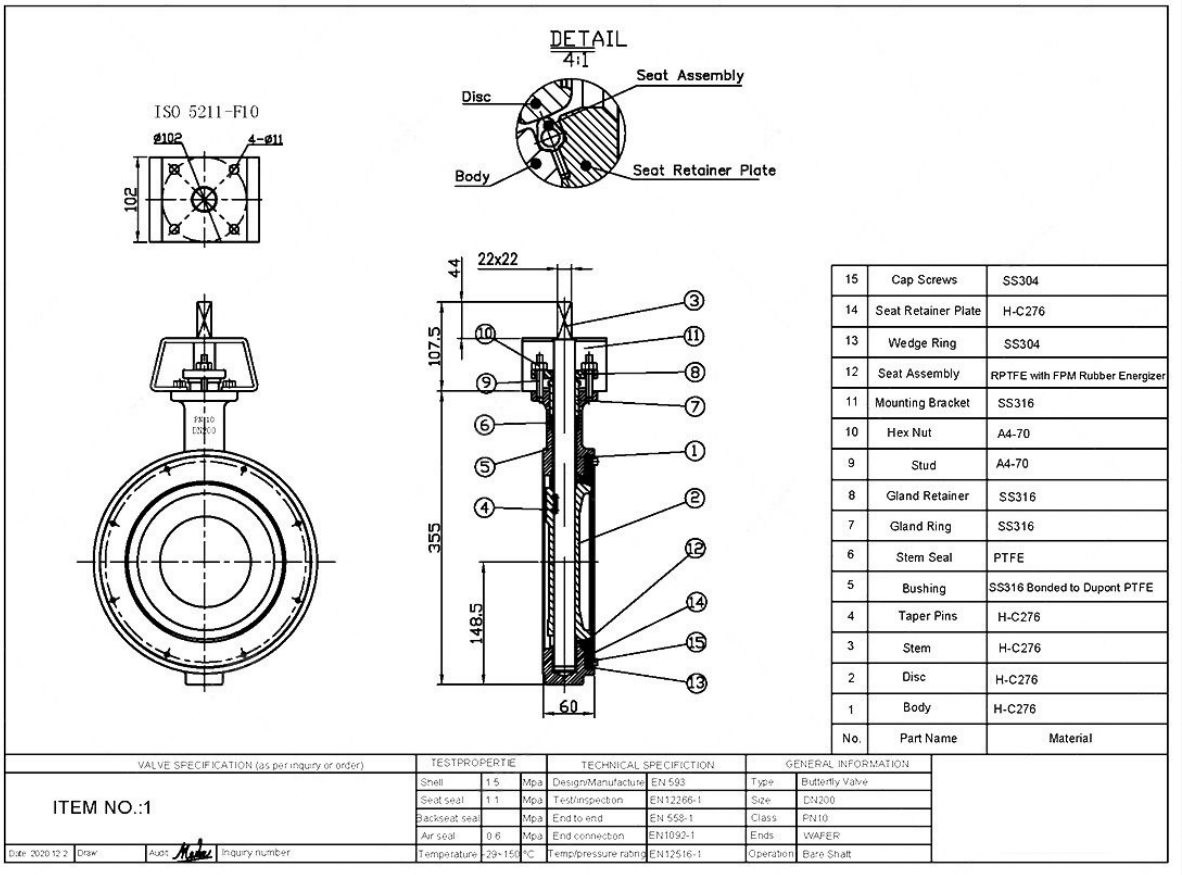
☰ Top mounting

The top flange design comply with ISO 5211,The yoke is convenient for assembling worm gear,pneumatic,electric, hydraulic and pneumatic & hydraulic actuators.



☰ Main characteristic

1.Unique seat design,replaceable seat. 2.Bi-directional,Zero Leakage



15	Cap Screws	SS304
14	Seat Retainer Plate	H-C276
13	Wedge Ring	SS304
12	Seat Assembly	RPTE with FPM Rubber Energizer
11	Mounting Bracket	SS316
10	Hex Nut	A4-70
9	Stud	A4-70
8	Gland Retainer	SS316
7	Gland Ring	SS316
6	Stem Seal	PTFE
5	Bushing	SS316 Bonded to Dupont PTFE
4	Taper Pins	H-C276
3	Stem	H-C276
2	Disc	H-C276
1	Body	H-C276
No.	Part Name	Material

VALVE SPECIFICATION (as per inquiry or order)		TEST PROPERTIES		TECHNICAL SPECIFICATION		GENERAL INFORMATION	
ITEM NO.:1		Shell	1.5 Mpa	Design/Manufacture	EN 558	Type	Butterfly Valve
		Seat seal	1.1 Mpa	Test/Inspection	EN12286-1	Size	DN200
		Backseat seal	Mpa	End to end	EN 558-1	Class	PN10
		Air seal	0.6 Mpa	End connection	EN1092-1	Ends	WAFER
Date: 2020.12.2	Draw: <i>Mohd</i>	Asst: <i>Mohd</i>	Inquiry number:	Temperature	-29~150 °C	Temp/pressure rating	EN12516-1
				Operation		Bare Shaft	



Fully Metal to Metal triple offset butterfly Valve with Gear Box

Product description:

Metal seated triple offset butterfly valve, bi-directional metal seated butterfly valve, metal seated renewable seat butterfly valve are the best selling triple offset butterfly valves. These valves are designed according to API609.

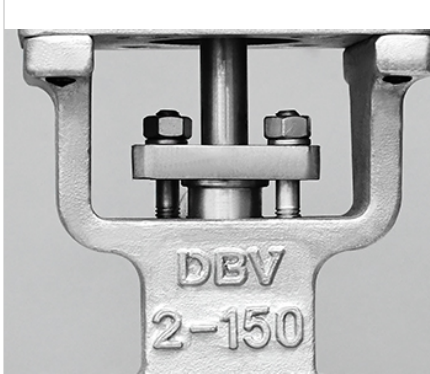
Valve Description

Body Material	CF3M
Nominal Pressure	CL150
Nominal Diameter	2"
End Connection	Wafer
Operation type	Gear box

Test & Inspection	API598
Design Standard	API609

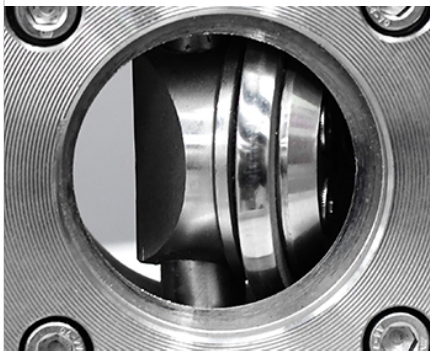
☰ Special Notes : We also can do special material according to customer's requirements

Valve Details



☰ **Typecasting**

Every valve in DBV with clear typecasting



☰ **Metal to metal seat**

DBV butterfly valve adopts metal to metal forged seal ring, overlay stellite alloy on the sealing surface, its advantages are anti-wear, anti-erosion and long service life, etc.



☰ **Flange face finish**

The ASME B16.5 code requires that the flange face (raised face and flat face) has a specific roughness to ensure that this surface be compatible with the gasket and provide a high quality seal.



☰ **Gear box**

Compact design gear box with good looking



GOST triple offset wafer butterfly valve

Product description:

DBV is a professional triple offset butterfly valve manufacturer, we can produce according to API, DIN, GB and GOST standard. For GOST standard triple offset butterfly valves, we commonly produce according to GOST 33259 flange type B, type E, Type F.

Valve Description

Body Material	Сталь 20ГЛ
Nominal Pressure	PN10
Nominal Diameter	DN800
End Connection	Wafer
Operation type	Gear

Test & Inspection	EN12266-1
Design Standard	API598

☰ Special Notes : We also can do special material according to customer's requirements

Valve Details



☰ Replaceable metal to metal seat

DBV have the best design for metal to metal renewable seat. If any problem of the seat, we don't need change the whole valves, we can only replace the seat.



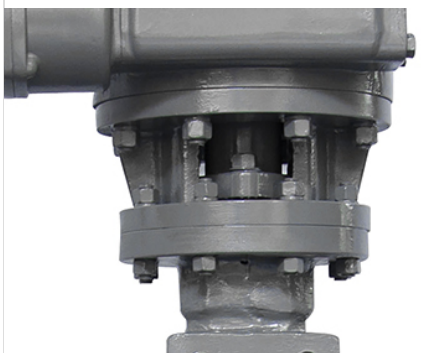
☰ Oval Turtle Disc Design

DBV butterfly valve adopts the unique oval turtle advantages such as high strength, good flow truss structure design of the disc. It has several characteristics and low flow-resistance coefficient.



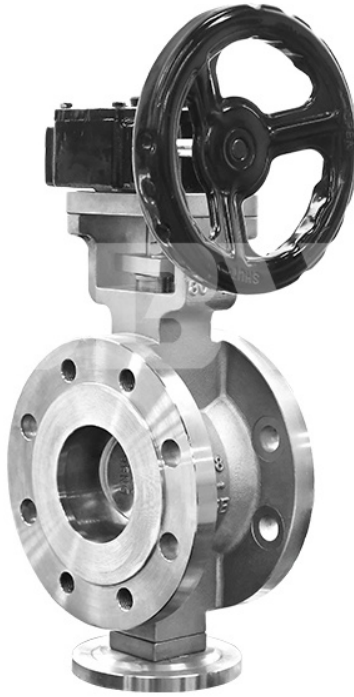
☰ Renewable Seat & Seal Ring Design

DBV butterfly valve adopts the design of renewable seat and seal Ring. This design will bring more profits for client. If the valve has the leakage caused by the seal ring & seat, changing the seal ring & seat could solve the leakage.



☰ Yoke Design

DBV butterfly valve adopts the design of top flange yoke as standard ISO5211. It is more beautiful, and also convenient to assemble the actuators.



Fully metal to metal triple offset butterfly valve DN80

Product description:

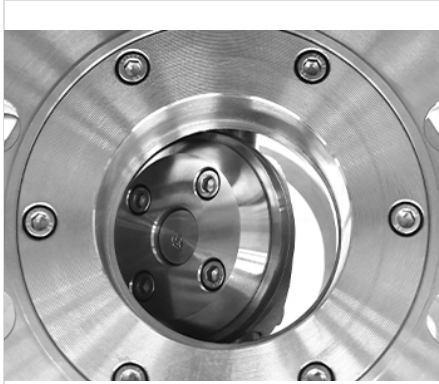
DBV Valve as a biggest and professional manufacturer of metal seated triple offset butterfly valve. Severe working conditions butterfly valve research expert.

Valve Description

Body Material	CF8
Nominal Pressure	PN16
Nominal Diameter	DN80
End Connection	RF
Operation type	Gear
Test & Inspection	API598

Special Notes : We also can do special material according to customer's requirements

Valve Details



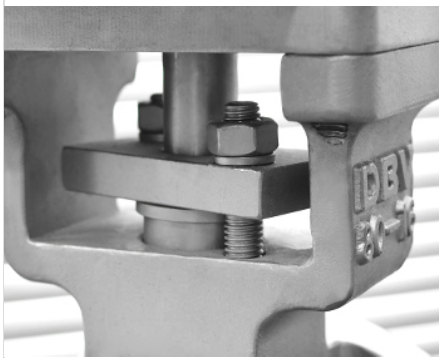
Replaceable metal to metal seat

DBV have the best design for metal to metal renewable seat.If any problem of the seat,we don't need change the whole valves,we can only replace the seat.



Stainless steel Disc

Stainless steel ASTM A351 CF8M disc can be used in severe working conditions.



Integral Yoke design

DBV butterfly valve adopts intergral yoke design. It is more beautiful than common eccentric butterfly valve's yoke design. It is also convenient to assemble the actuators.



Flange face finish

The ASME B16.5 code requires that the flange face(raised face and flat face) has a specific roughness to ensure that this surface be compatible with the gasket and provide a high quality seal.



Metal seated wafer triple offset butterfly valve

Product description:

Wafer butterfly valve is small, simple to operate and light in weight. Rotate 90 ° to quickly open and close. It can be used for regulating/cut off. Triple offset butterfly valve has been widely used in the chemical industry, metallurgy, petroleum and o

Valve Description

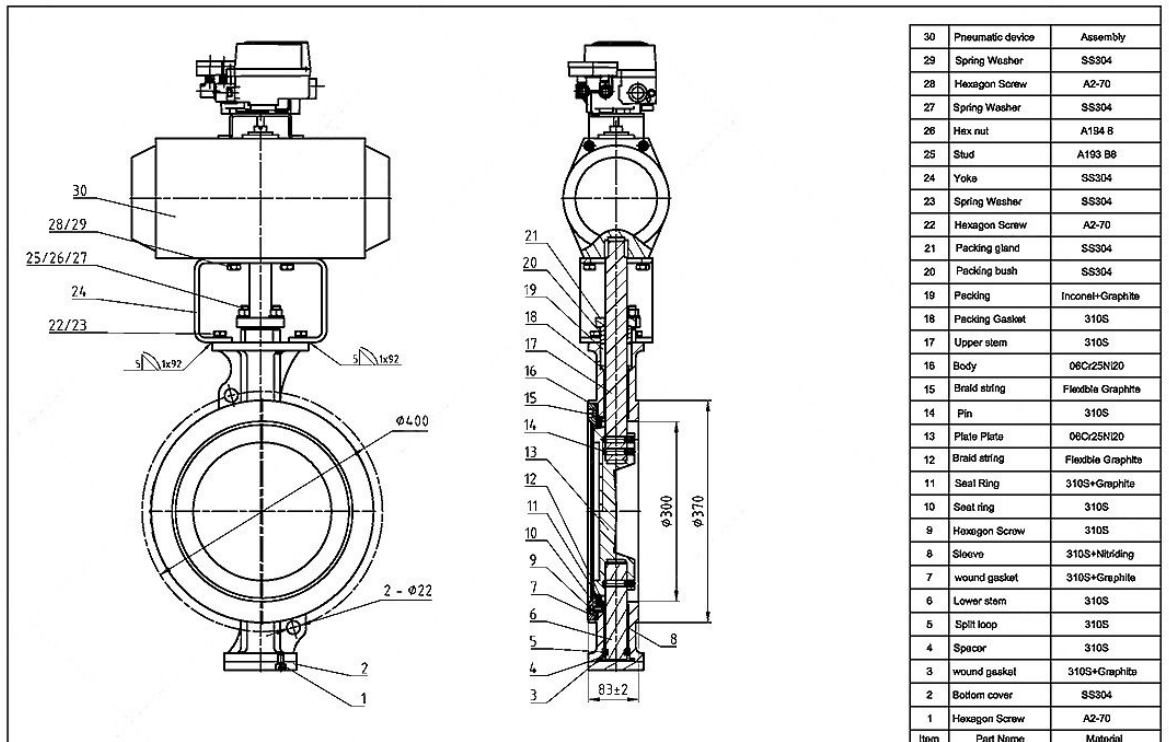
Body Material	06Cr25Ni20(310S)
Nominal Pressure	PN10
Nominal Diameter	DN300
End Connection	Wafer
Operation type	Pneumatic

Test & Inspection	API598
Design Standard	API609

☰ Special Notes : We also can do special material according to customer's requirements

Valve Details

	<p>☰ Typecasting</p> <p>Every valve in DBV with clear typecasting</p>
	<p>☰ High quality casting disc</p> <p>Accurate processing the disc to ensure excellent sealing. Many big size disc we also have them in stock to ensure short delivery time</p>
	<p>☰ Yoke</p> <p>New design beautiful yoke</p>
	<p>☰ Flange face finish</p> <p>The ASME B16.5 code requires that the flange face (raised face and flat face) has a specific roughness to ensure that this surface be compatible with the gasket and provide a high quality seal.</p>



30	Pneumatic device	Assembly
29	Spring Washer	SS304
28	Hexagon Screw	A2-70
27	Spring Washer	SS304
26	Hex nut	A194 B
25	Stud	A193 B8
24	Yoke	SS304
23	Spring Washer	SS304
22	Hexagon Screw	A2-70
21	Packing gland	SS304
20	Packing bush	SS304
19	Pecking	Inconel+Graphite
18	Packing Gasket	310S
17	Upper stem	310S
16	Body	06Cr25Ni20
15	Braid string	Flexible Graphite
14	Pin	310S
13	Plate Plate	06Cr25Ni20
12	Braid string	Flexible Graphite
11	Seal Ring	310S+Graphite
10	Seal ring	310S
9	Hexagon Screw	310S
8	Sleeve	310S+Nitriding
7	wound gasket	310S+Graphite
6	Lower stem	310S
5	Split loop	310S
4	Spacer	310S
3	wound gasket	310S+Graphite
2	Bottom cover	SS304
1	Hexagon Screw	A2-70

VALVE SPECIFICATION (as per inquiry or order)	TESTPROPERTIES		TECHNICAL SPECIFICATION		GENERAL INFORMATION	
ITEM NO.:1	Shell	1.5 Mpa	Design/Manufacture	EN 593	Type	Butterfly Valve
	Seat seal	1.1 Mpa	Test/Inspection	EN 12286-1	Size	DN300
	Backseat seal	f Mpa	End to end	EN 558-1	Class	PN10
	Air seal	0.6 Mpa	End connection	EN 1092-2	Ends	WAFER
	Temperature	-28~900 °C	Temp/pressure rating	EN 12518-1	Operation	Worm Gear

Date: 2021.11.10 Draw: *[Signature]* Inquiry number:



High pressure metal to metal WCB butterfly valve PN100

Product description:

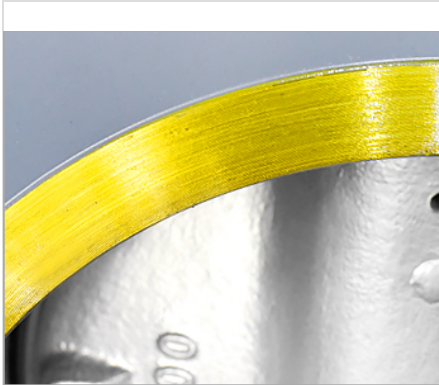
Pneumatic triple eccentric butterfly valve, the valve body adopts triple eccentric structure, the valve plate and sealing mechanism are uniquely designed, with excellent cutting performance and durability, as well as dual functions of cutting and adj

Valve Description

Body Material	WCB
Nominal Pressure	PN100
Nominal Diameter	DN300
End Connection	Flange
Operation type	Pneumatic Actuator
Test & Inspection	API 598/ISO 5208

≡ Special Notes : We also can do special material according to customer's requirements

Valve Details



≡ Flange Face Finish

The ASME B16.5 code requires that the flange face (raised face and flat face) has a specific roughness to ensure that this surface be compatible with the gasket and provide a high quality seal. Resultant roughness between 125-500 micro inches.



≡ Bi-direction Flow

The pressure of bidirectional flow could be afforded to achieve no flow restrictions on the installation.



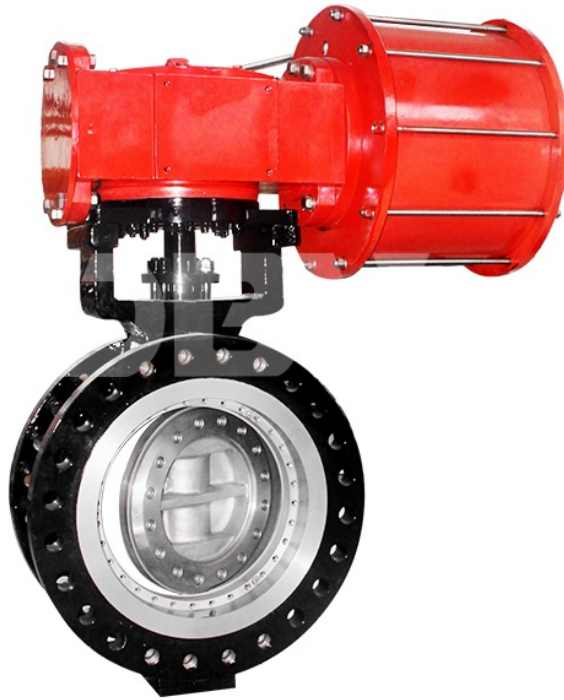
≡ DBV fully metal to metal sealing

Its advantages are anti-wear, anti-erosion and long service life, etc. DBV butterfly valve suitable for many poor working conditions such as high pressure and high temperature.



≡ Yoke

DBV butterfly valve adopts the design of yoke. It is more beautiful, and also convenient to assemble the actuator. Our yoke is made by one-piece casting, with anti-broken hardness.



Fully metal seated butterfly Valves with Pneumatic operated

Product description:

Triple Offset butterfly Valves Material: Body:WCB Disc: CF8+STL, Stem: A182 F6A. Seat: WCB+STL, Sealing ring: CF8+STL

Nominal Diameter:18 INCH Nominal Pressure:Class 300 End Connection:flanged

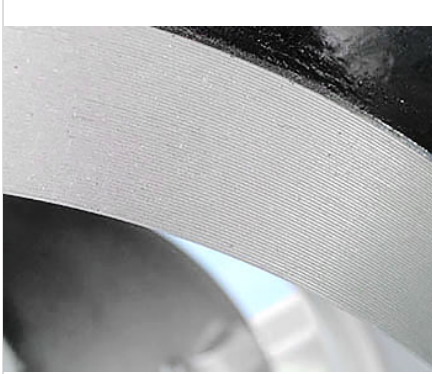
Valve Description

Body Material	WCB
Nominal Pressure	Class 300
Nominal Diameter	18"
End Connection	Flanged
Operation type	Pneumatic

Test & Inspection	API 598
Design Standard	API 609

☰ Special Notes : We also can do special material according to customer's requirements

Valve Details



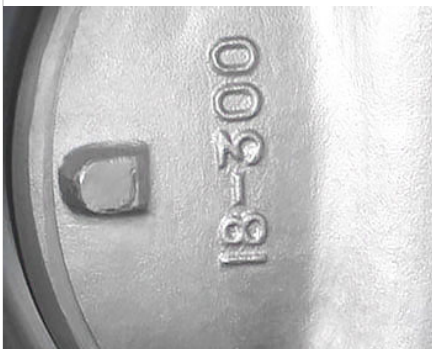
☰ NO.1

The ASME B16.5 code requires that the flange face (raised face and flat face) has a specific roughness to ensure that this surface be compatible with the gasket and provide a high quality seal



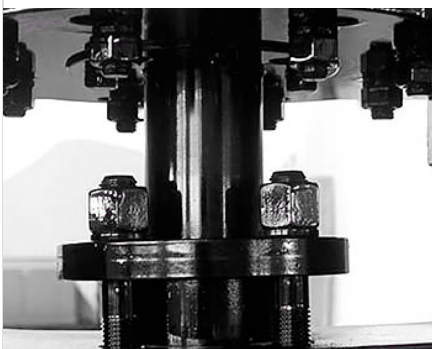
☰ NO.2

DBV butterfly valve material selection is very large, high and low temperature and variety of acid, alkali and other corrosive medium. DBV fully metal seated butterfly valve can comply with the leakage class A. (Zero Leakage)



☰ NO.3

Every valve in DBV with clear typecasting and smooth sealing to ensure excellent sealing. Clear the valves very carefully in every details and the valve bore



☰ NO.4

The top flange design comply with ISO 5211, The yoke is convenient for assembling worm gear, pneumatic, electric, hydraulic and pneumatic & hydraulic actuators. actuators.



Triple eccentric/Offset metal to metal seat wafer Lug Butterfly Valve

Product description:

Triple eccentric Butterfly Valves Body material:5A Disc: F53+STL, Stem: 17-4PH. Seat: F53+STL,Nominal Diameter:4"
Nominal Pressure:CL600 Connection: Lug

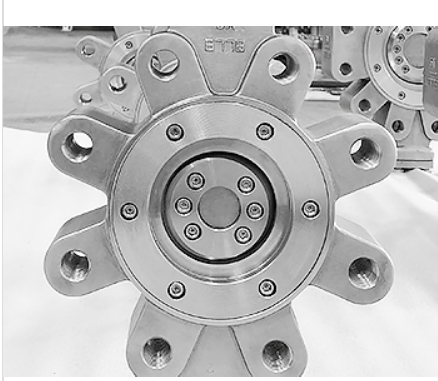
Valve Description

Body Material	5A
Nominal Pressure	CL600
Nominal Diameter	4"
End Connection	Lug
NACE	NACE 0175

Test & Inspection	API 598/ISO 5208
Working Temperature	-294°C ~ 315°C

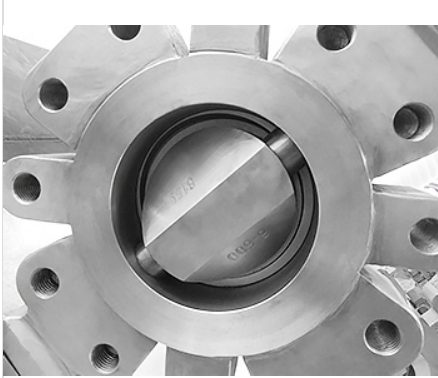
☰ Special Notes : We also can do special material according to customer's requirements

Valve Details



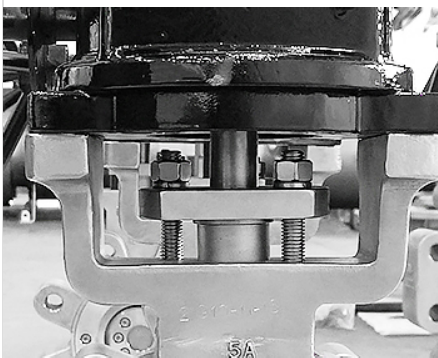
☰ Innovation

This is our new design of Europe design for Europe market



☰ Forged Disc

Forged Duplex steel F53 disc for high pressure Class 600.



☰ Integral Yoke

Yoke and body casting in whole, this new design is very beautiful and can avoid the leakage on yoke.



☰ Flange face finish

The ASME B16.5 code requires that the flange face (raised face and flat face) has a specific roughness to ensure that this surface be compatible with the gasket and provide a high quality seal.



Triple eccentric/Offset metal to metal seat Butterfly Valves DN600 PN25

Product description:

Triple eccentric Butterfly Valves Body material::A105 Disc: CF8+STL,Stem: 17-4PH. Seat: F316+STL,Nominal Diameter:DN600 Nominal Pressure:PN25 Connection: Butt welded

Valve Description

Body Material	A105
Nominal Pressure	PN25
Nominal Diameter	DN600
End Connection	BW
Operation type	Gear box

Test & Inspection	API 598
Face To Face	ASME B16.10

☰ Special Notes : We also can do special material according to customer's requirements

Valve Details



☰ Marking

Every valve in DBV with clear LOGO and Marking on the valve body.



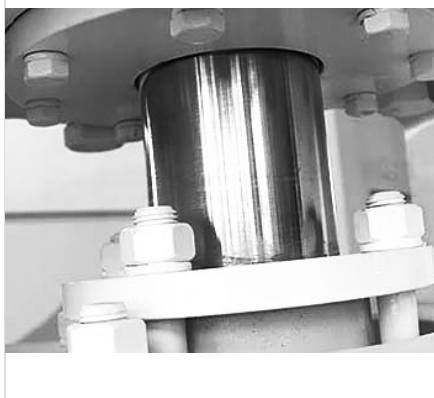
☰ Stainless steel Disc

Stainless steel ASTM A351 CF8 disc can be used in severe working conditions



☰ Metal to Metal sealing

We protect every tiny detail of the seat sealing, very smoothly to ensure excellent sealing performance. DBV butterfly valve adopts all metal forged seal ring, overlays stellite alloy on the sealing surface, its advantages are anti-wear, anti-erosion and long service life, etc.



☰ Flange

The top flange design comply with ISO 5211, The yoke is convenient for assembling worm gear, pneumatic, electric, hydraulic and pneumatic & hydraulic actuators.

По вопросам продаж и поддержки обращайтесь:

Алматы (7273)495-231	Казань (843)206-01-48	Новокузнецк (3843)20-46-81	Смоленск (4812)29-41-54
Архангельск (8182)63-90-72	Калининград (4012)72-03-81	Новосибирск (383)227-86-73	Сочи (862)225-72-31
Астрахань (8512)99-46-04	Калуга (4842)92-23-67	Омск (3812)21-46-40	Ставрополь (8652)20-65-13
Барнаул (3852)73-04-60	Кемерово (3842)65-04-62	Орел (4862)44-53-42	Сургут (3462)77-98-35
Белгород (4722)40-23-64	Киров (8332)68-02-04	Оренбург (3532)37-68-04	Тверь (4822)63-31-35
Брянск (4832)59-03-52	Краснодар (861)203-40-90	Пенза (8412)22-31-16	Томск (3822)98-41-53
Владивосток (423)249-28-31	Красноярск (391)204-63-61	Пермь (342)205-81-47	Тула (4872)74-02-29
Волгоград (844)278-03-48	Курск (4712)77-13-04	Ростов-на-Дону (863)308-18-15	Тюмень (3452)66-21-18
Вологда (8172)26-41-59	Липецк (4742)52-20-81	Рязань (4912)46-61-64	Ульяновск (8422)24-23-59
Воронеж (473)204-51-73	Магнитогорск (3519)55-03-13	Самара (846)206-03-16	Уфа (347)229-48-12
Екатеринбург (343)384-55-89	Москва (495)268-04-70	Санкт-Петербург (812)309-46-40	Хабаровск (4212)92-98-04
Иваново (4932)77-34-06	Мурманск (8152)59-64-93	Саратов (845)249-38-78	Челябинск (351)202-03-61
Ижевск (3412)26-03-58	Набережные Челны (8552)20-53-41	Севастополь (8692)22-31-93	Череповец (8202)49-02-64
Иркутск (395)279-98-46	Нижний Новгород (831)429-08-12	Симферополь (3652)67-13-56	Ярославль (4852)69-52-93
Россия (495)268-04-70	Киргизия (996)312-96-26-47	Казахстан (7172)727-132	